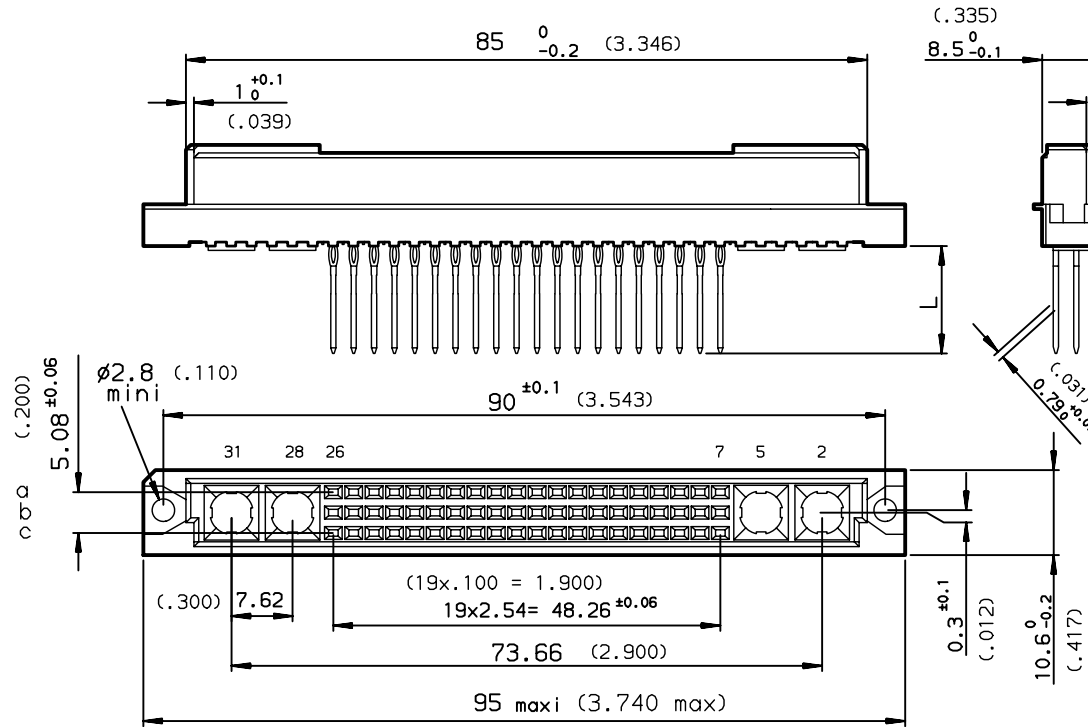
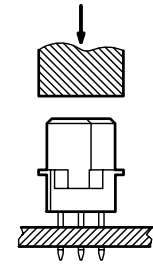


DIMENSIONS mm (inches)



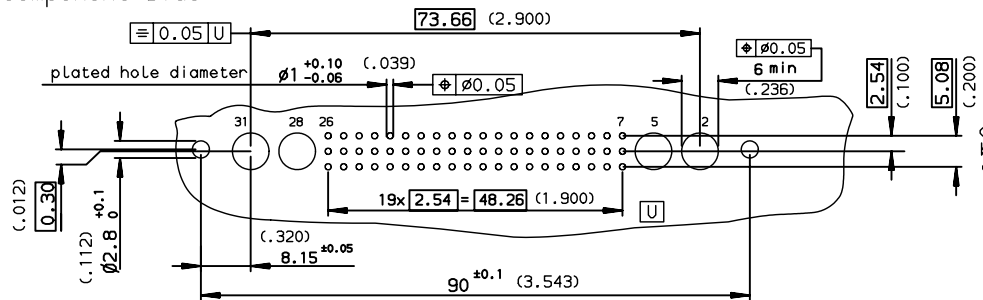
METHOD OF INSERTION  
ON THE PCB = FLAT ROCK



PART NUMBER	8609	<input type="checkbox"/>	<input type="checkbox"/>	D1	<input type="checkbox"/>	7	<input type="checkbox"/>	5	<input type="checkbox"/>
PIN OUT									
rows a-b-c						3		60	
rows a-c						4		40	
NUMBER OF CONTACTS									
TERMINATION									
L = 13.10 ±0.20 (.515)				1 wrap				91	
L = 17.10 ±0.20 (.673)				2 wraps				92	
L = 3.00 ±0.20 (.118)				short post				94	
PERFORMANCE CLASS									
DIN 41612 class 3									4
DIN 41612 class 2									5
DIN 41612 class 1									6
TERMINATION TYPE									
TIN LEAD									- 000E3
LEAD FREE									- E3LF

PCB DRILLING  
component side

PERFORMANCES AS PER DIN 41612



GENERAL CHARACTERISTICS AND ROHS INFORMATIONS:

SEE DRAWING C-8609-0000C

European Views

www.fciconnect.com		surface	tolerance std	projection	mm
		ISO 1302	ISO 406 ISO 1101		
TOLERANCES UNLESS OTHERWISE SPECIFIED					
Dr	ROUILLARD	1997/01/27	0.X	±0.1	size
Eng	TARON	1997/01/27	0.XX	±0.1	A3
Chr	LEGARE	1997/01/27	0.XX' ±2'	±0.1	Scale 1.5
Appr	LEGARE	1997/01/27	0.XXX	±0.1	ECN LS06-0095
Product family			DIN 8609	Spec ref -	
		STRAIGHT FEMALE - STYLE M			Rev.
		PRESS FIT			D
catalog no		-			dwg no
		-			C-8609-0556
		CUSTOMER			sheet 1 of 1

rev	ecn no	dr	date
B	-	ROU	1997/11/05
C	LS05-004	JTA	2005/02/28
D	LS06-0095	LGO	2006/07/12
-	-	-	-
-	-	-	-
-	-	-	-
-	-	-	-